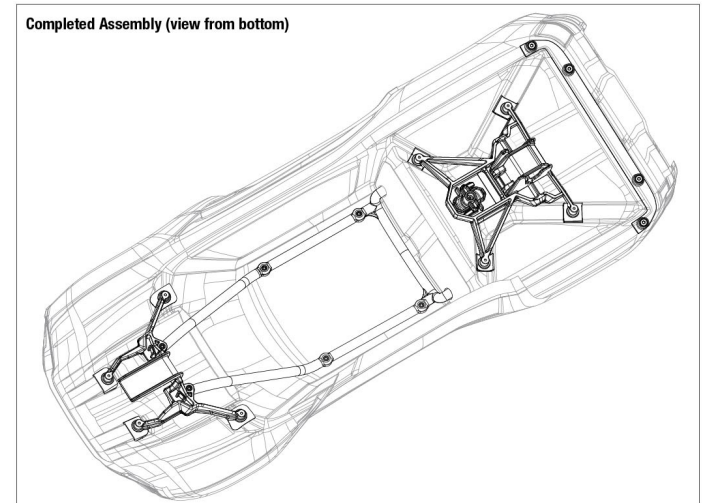
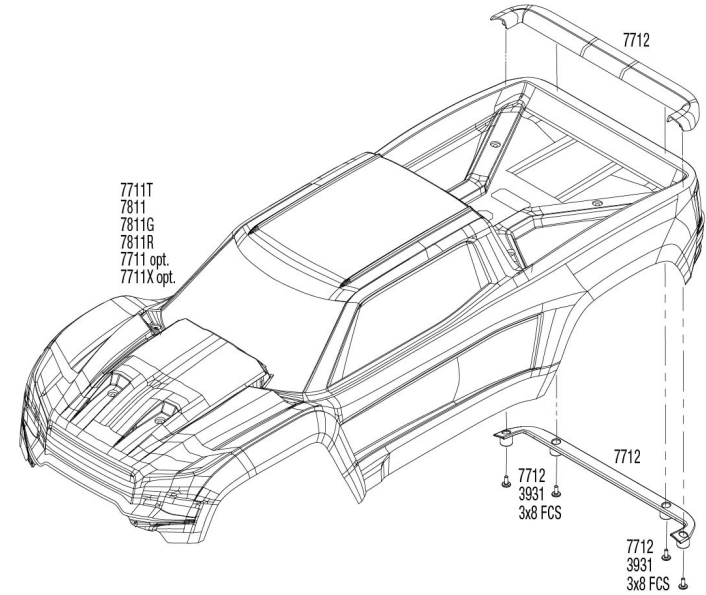
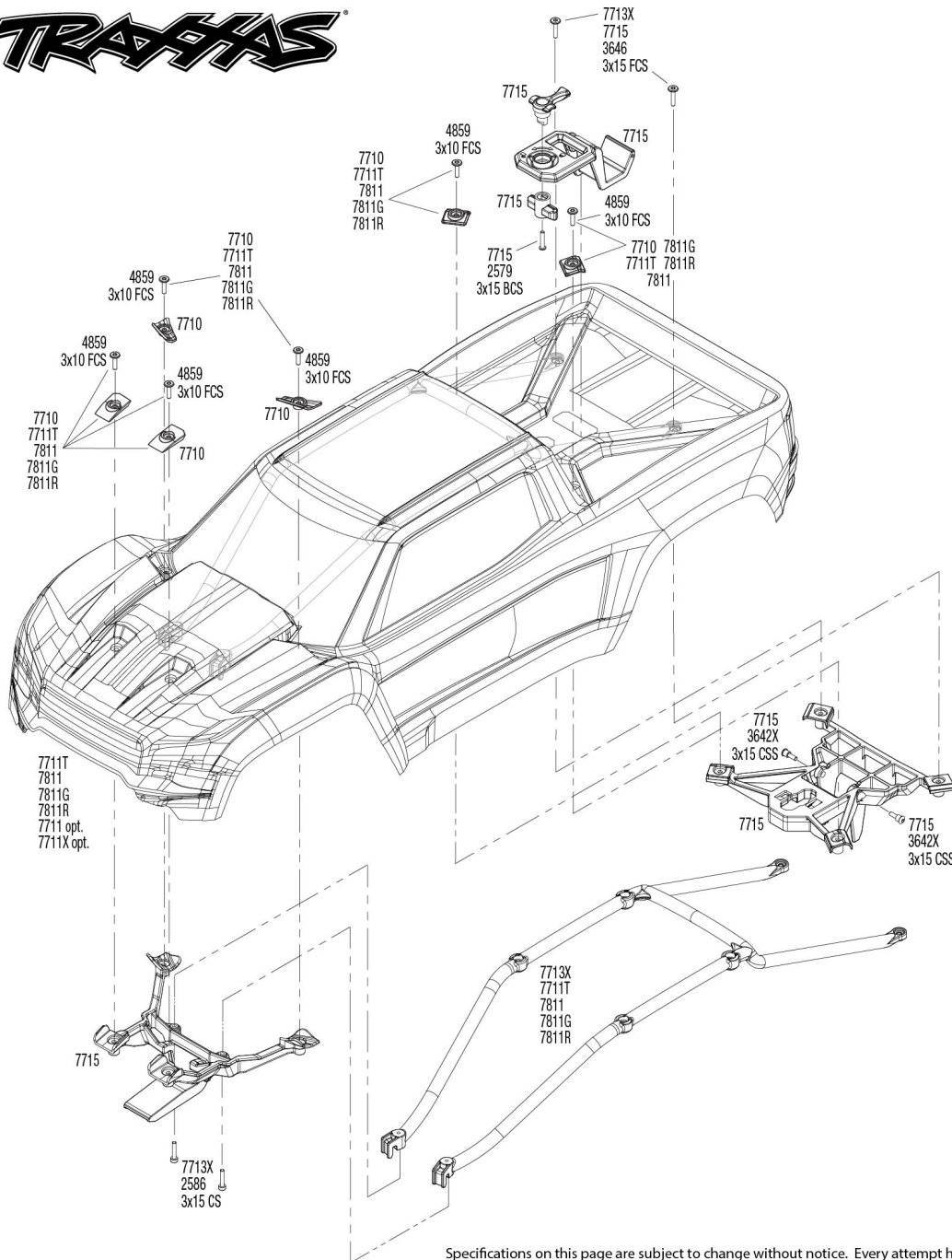




Body Assembly

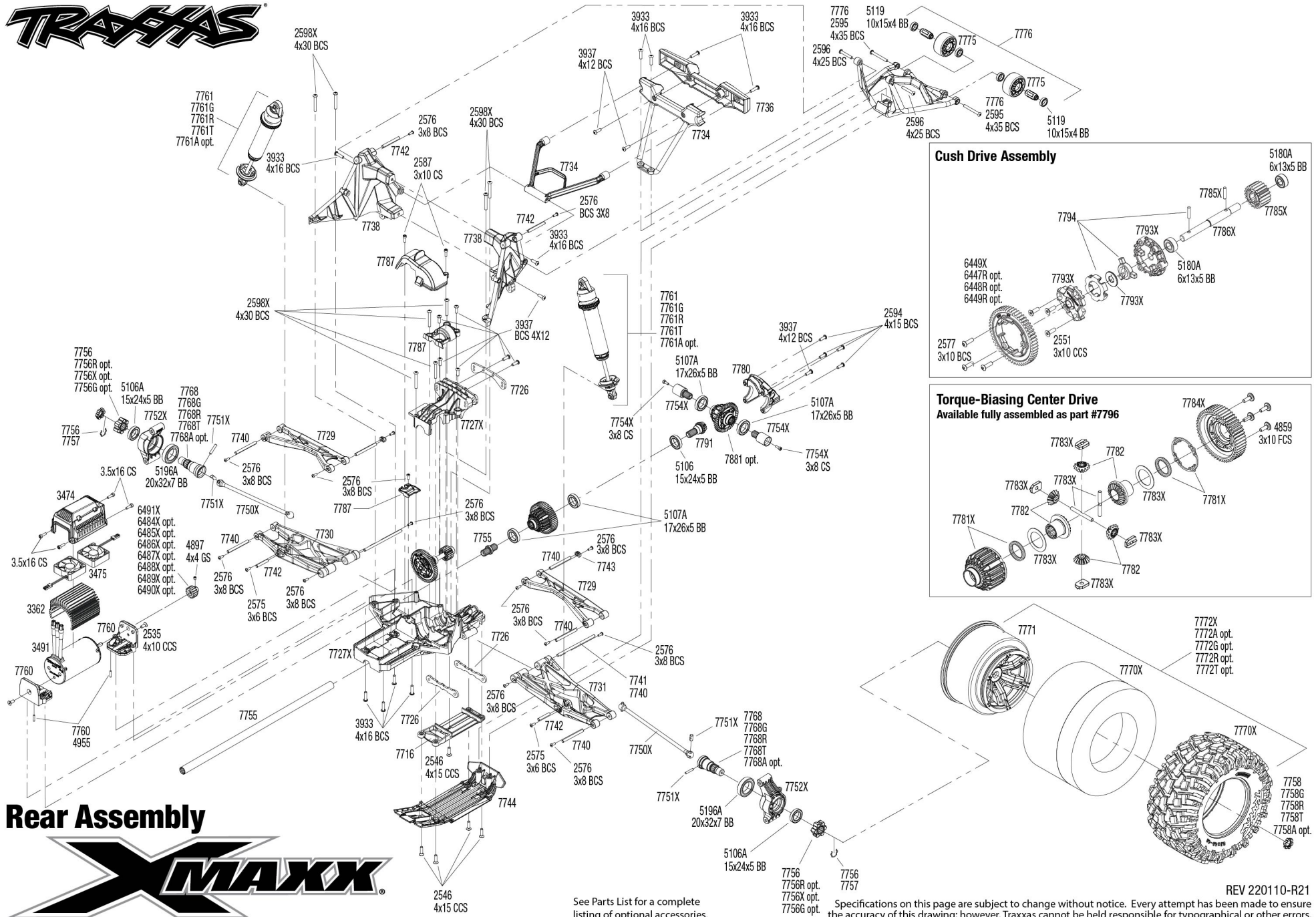


Specifications on this page are subject to change without notice. Every attempt has been made to ensure the accuracy of this drawing; however, Traxxas cannot be held responsible for typographical or other errors.

See Parts List for a complete listing of optional accessories.

REV 220110-R21

TRAXXAS



Rear Assembly

X-MAXX

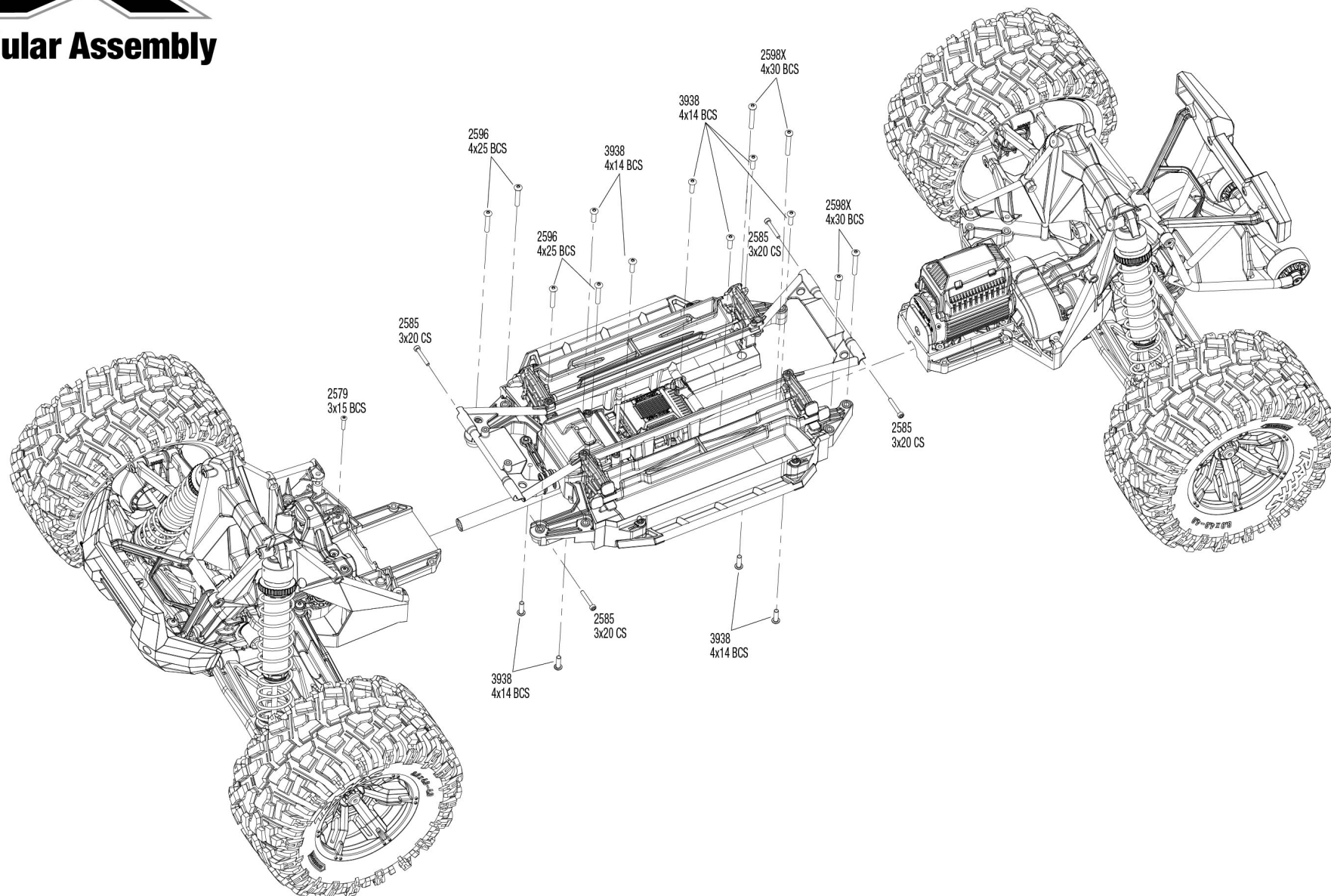
See Parts List for a complete listing of optional accessories.

Specifications on this page are subject to change without notice. Every attempt has been made to ensure the accuracy of this drawing; however, Traxxas cannot be held responsible for typographical or other errors.

REV 220110-R21



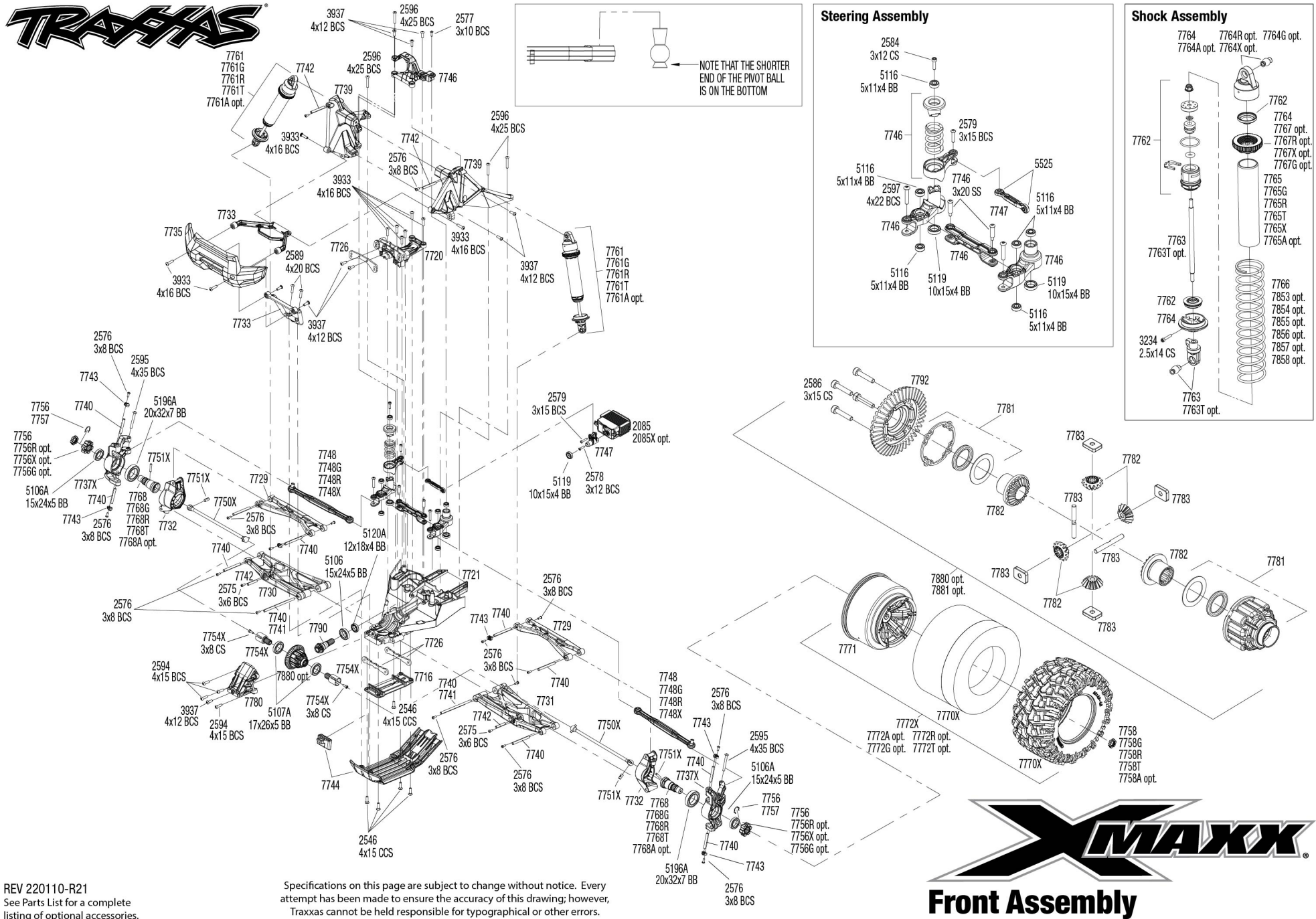
Modular Assembly



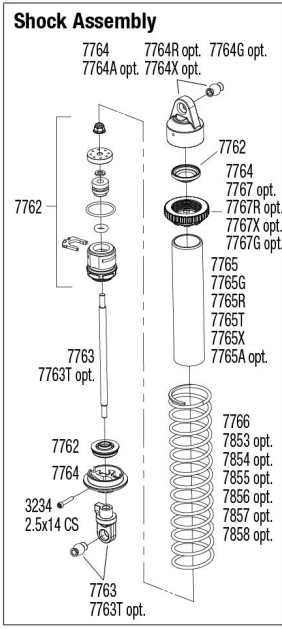
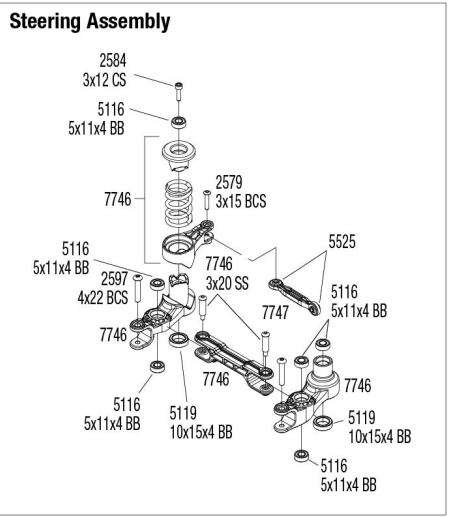
REV 220110-R21

Specifications on this page are subject to change without notice.

Every attempt has been made to ensure the accuracy of this drawing; however, Traxxas cannot be held responsible for typographical or other errors. See Parts List for a complete listing of optional accessories.



NOTE THAT THE SHORTER END OF THE PIVOT BALL IS ON THE BOTTOM



REV 220110-R21
See Parts List for a complete listing of optional accessories.

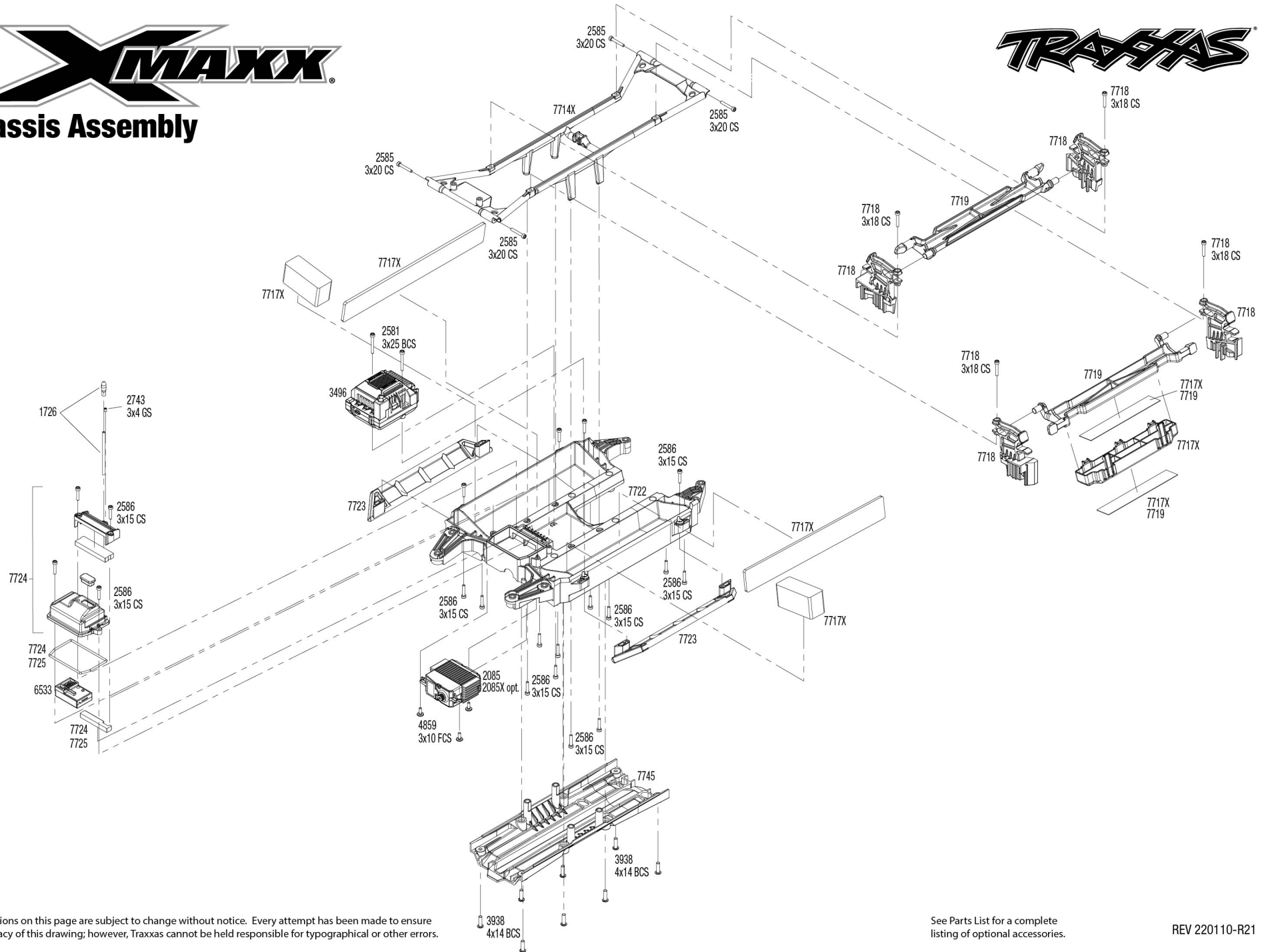
Specifications on this page are subject to change without notice. Every attempt has been made to ensure the accuracy of this drawing; however, Traxxas cannot be held responsible for typographical or other errors.



XMAXX

Chassis Assembly

TRAXAS



Specifications on this page are subject to change without notice. Every attempt has been made to ensure the accuracy of this drawing; however, Traxas cannot be held responsible for typographical or other errors.

See Parts List for a complete listing of optional accessories.

REV 220110-R21