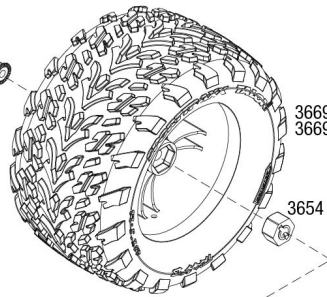


4.0NL
3647
1747R opt.
1747G opt.
1747P opt.



3669
3669A opt.

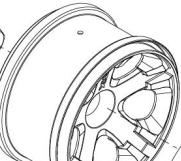
3654

1985
5x8x0.5PTW

1675
5x11x40B
5116 opt.

3632
3632A opt.
3632X opt.
3632G opt.
3632P opt.

2735
2735P

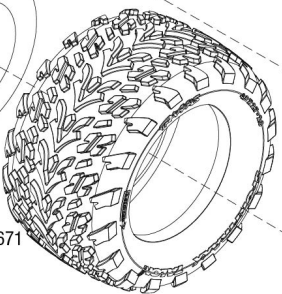


3654

5576
5576A opt.
3673 opt.
3675 opt.

3671

3671



3186
3x12WMM

2742

2336
78mm

2593
3x14 BCS

8361

3760A
2660 opt.

2742

3740
31.5mm

2754

3739
24mm

3739
40mm

2548
4x12CM

2530A
2530 opt.

3739
40mm

3631
3631A opt.
3631G opt.
3631L opt.
3631R opt.
3631T opt.
3631X opt.

3739
24mm

3740
31.5mm

1985
5x8x0.5PTW

1675
5x11x40B
5116 opt.

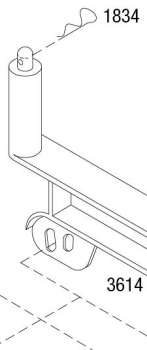
3736
3636X opt.
3636A opt.
3636G opt.
3636P opt.

2742

3187
3x15WMM

3186
3x12WMM

2742



3614

3x10WST

1834

3x10WST

3290
3x8WST

2056
2075 opt.

2362

F-3758X
3758A opt.
3758T opt.
3758R opt.
3758P opt.
R-3757X
3757A opt.
3757T opt.
3757R opt.
3757P opt.

3767

3768

1942
2742X

Use #1666 silicone shock oil

8361

1765

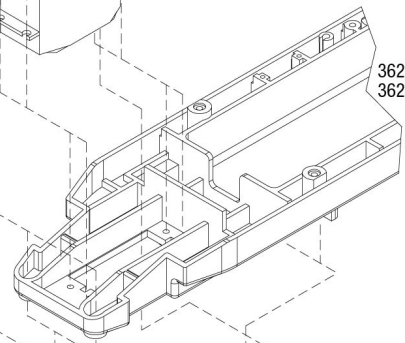
E
3768
E

Limiters, Rear only
F-1664
1664T opt.
R-2656
2656T opt.

3769

F-3765A
R-3766A

3768



3622R
3622X opt.

See Parts List for a complete listing of optional accessories.

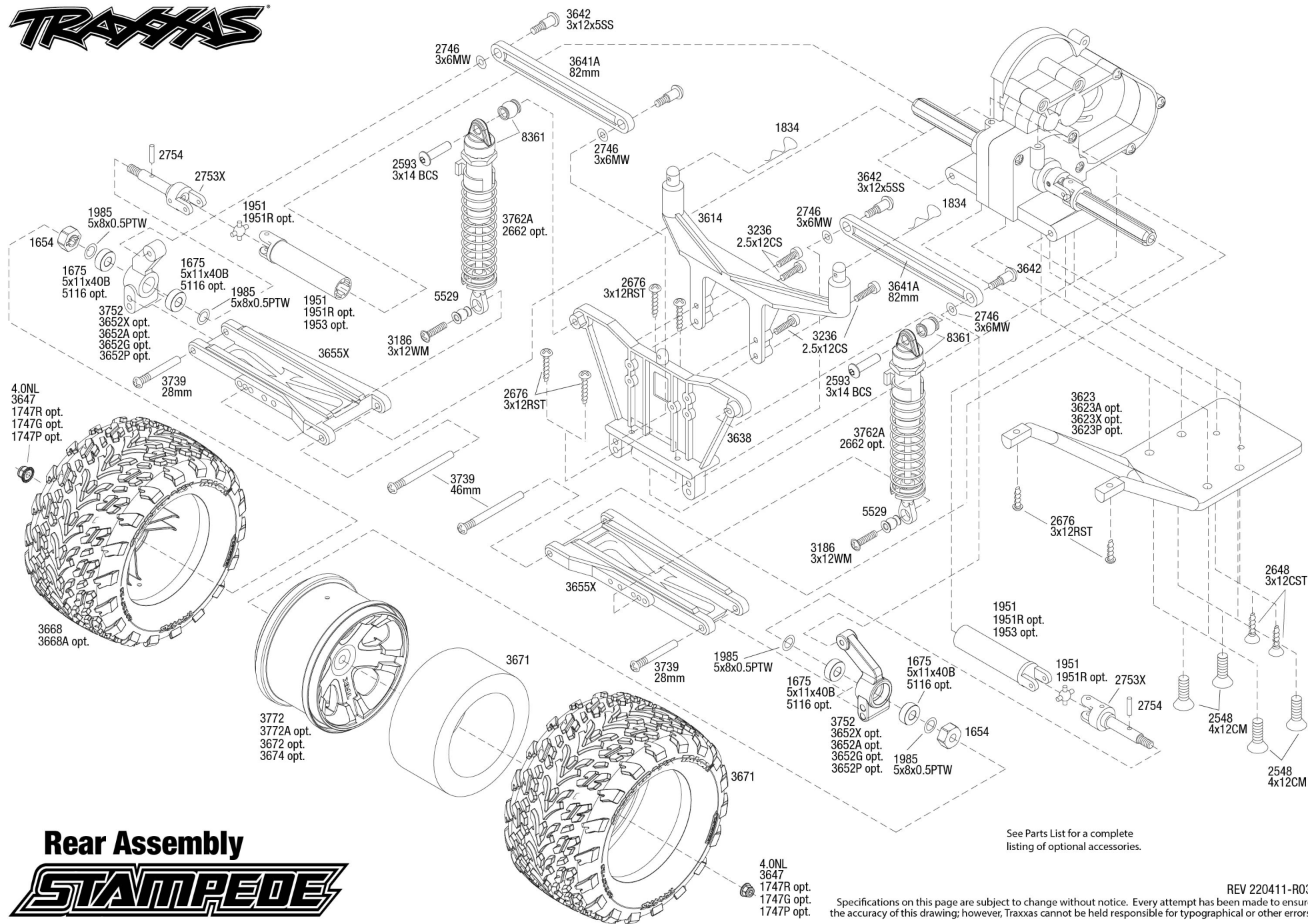
Specifications on this page are subject to change without notice. Every attempt has been made to ensure the accuracy of this drawing; however, Traxxas cannot be held responsible for typographical or other errors.

REV 220411-R03



Front Assembly





Rear Assembly

STAMPEDE

See Parts List for a complete listing of optional accessories.

4.0NL
3647
1747R opt.
1747G opt.
1747P opt.

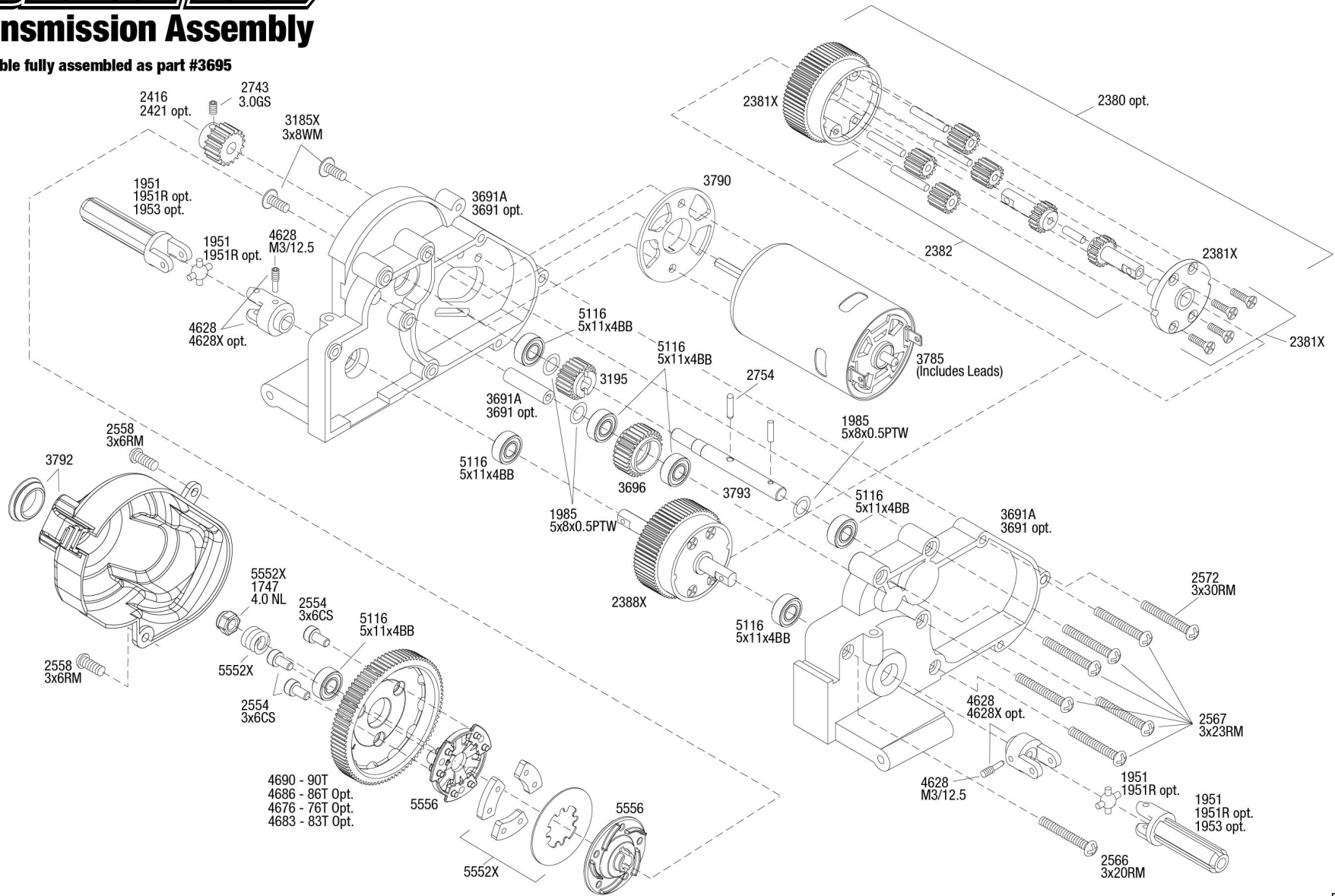
Specifications on this page are subject to change without notice. Every attempt has been made to ensure the accuracy of this drawing; however, Traxxas cannot be held responsible for typographical or other errors.

REV 220411-R03

STAMPEDE

Transmission Assembly

Available fully assembled as part #3695



See Parts List for a complete listing of optional accessories.

REV 220411-R03

Specifications on this page are subject to change without notice. Every attempt has been made to ensure the accuracy of this drawing; however, Traxxas cannot be held responsible for typographical or other errors.