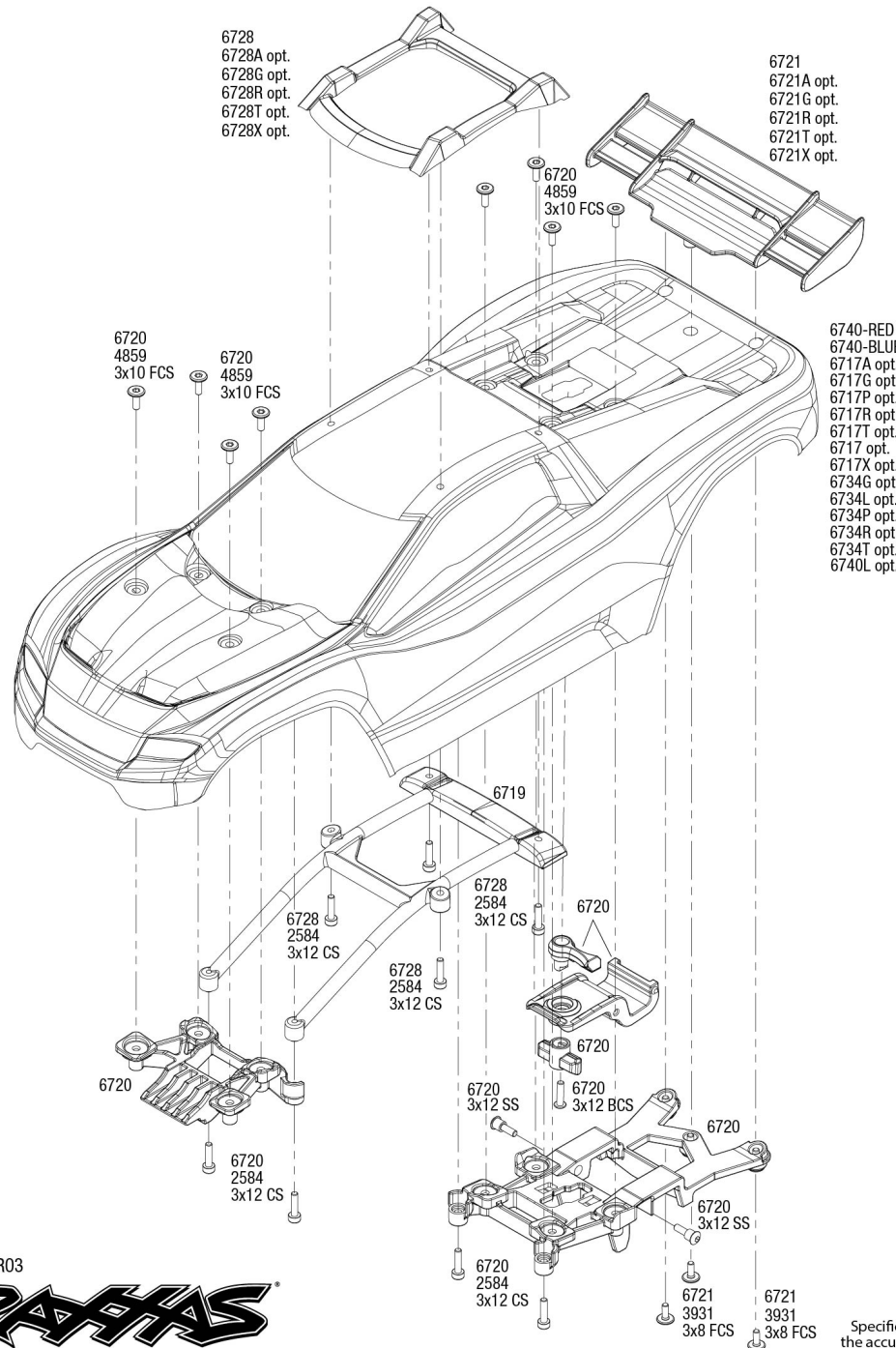


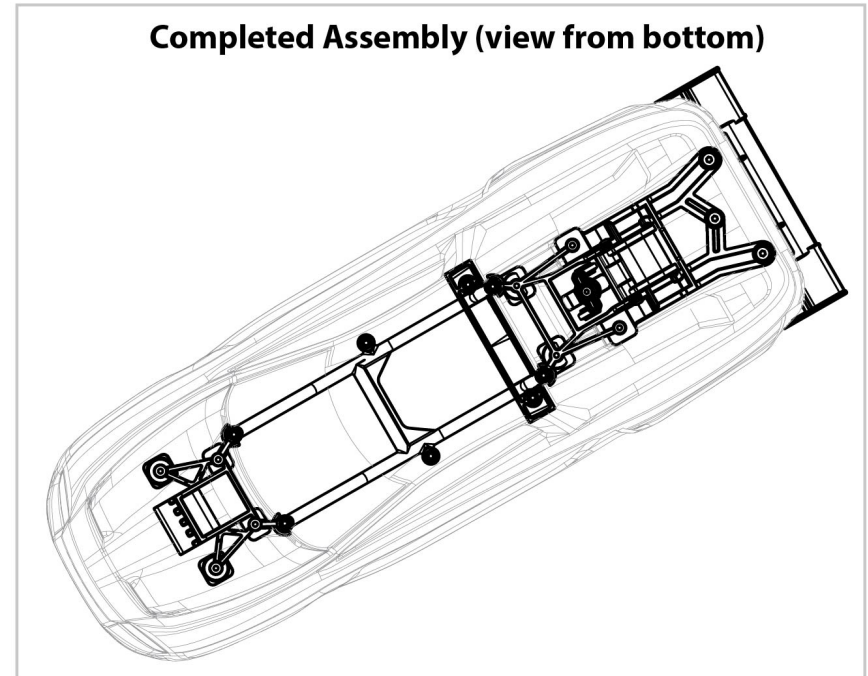
RUSTLER 4x4

BRUSHLESS

Body Assembly



Completed Assembly (view from bottom)



REV 231206-R03

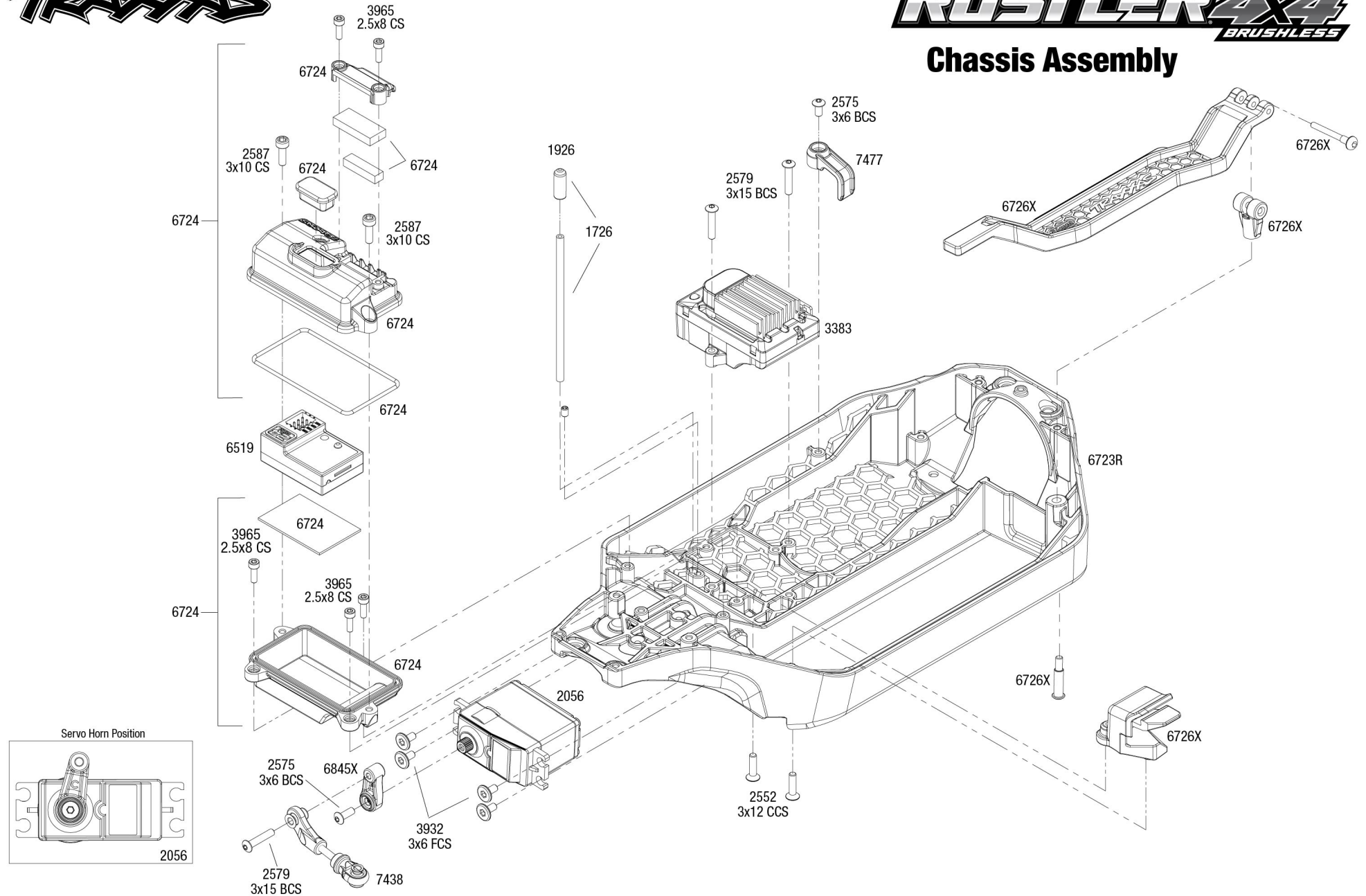


Specifications on this page are subject to change without notice. Every attempt has been made to ensure the accuracy of this drawing; however, Traxxas cannot be held responsible for typographical or other errors.

See Parts List for a complete listing of optional accessories.



Chassis Assembly

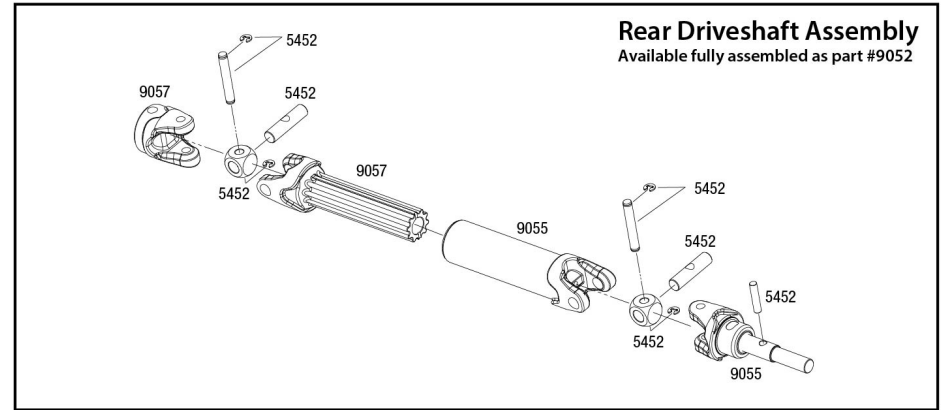
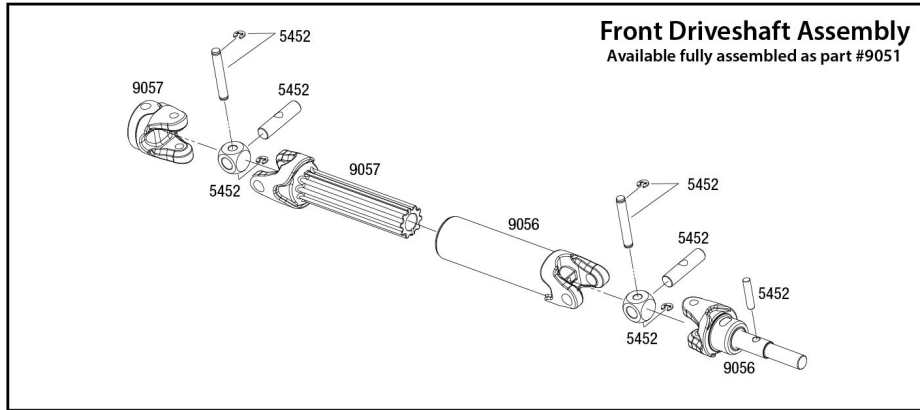


Specifications on this page are subject to change without notice. Every attempt has been made to ensure the accuracy of this drawing; however, Traxxas cannot be held responsible for typographical or other errors.

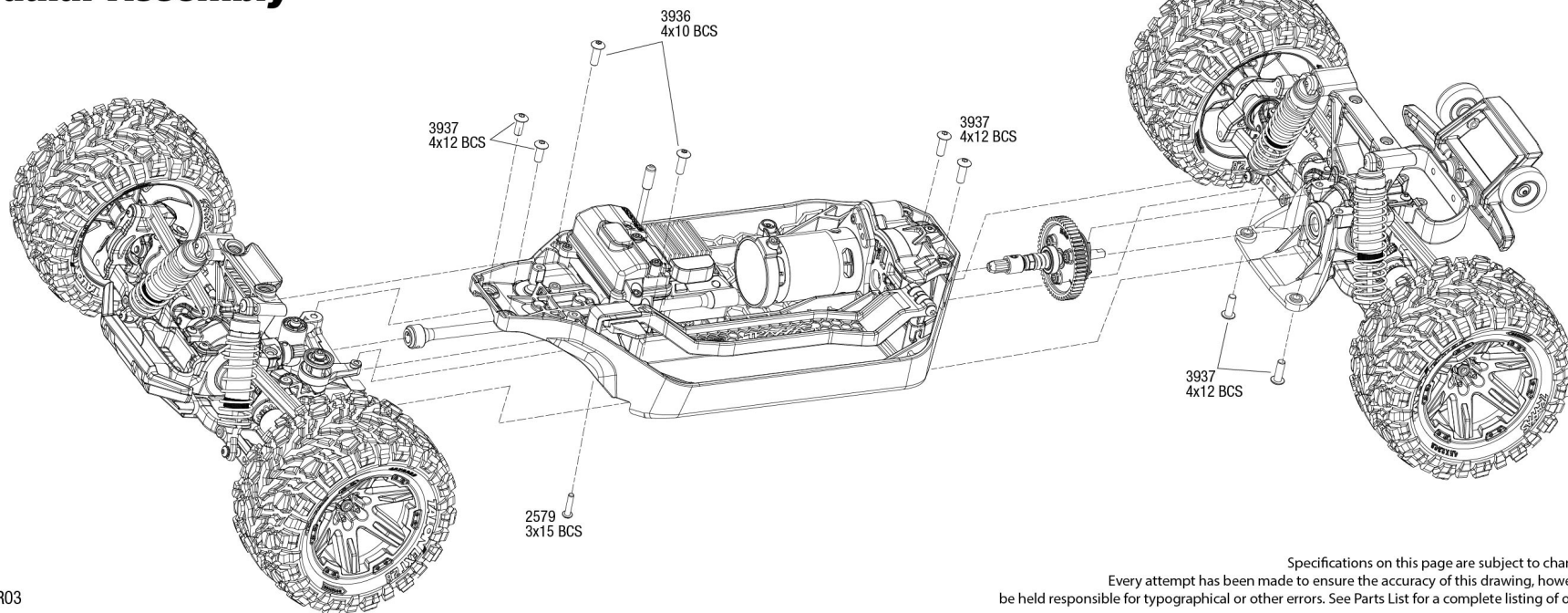
See Parts List for a complete listing of optional accessories.

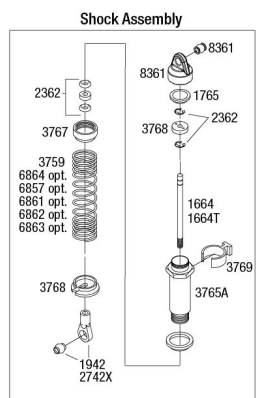
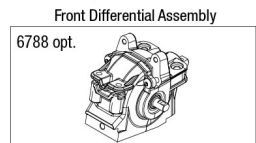
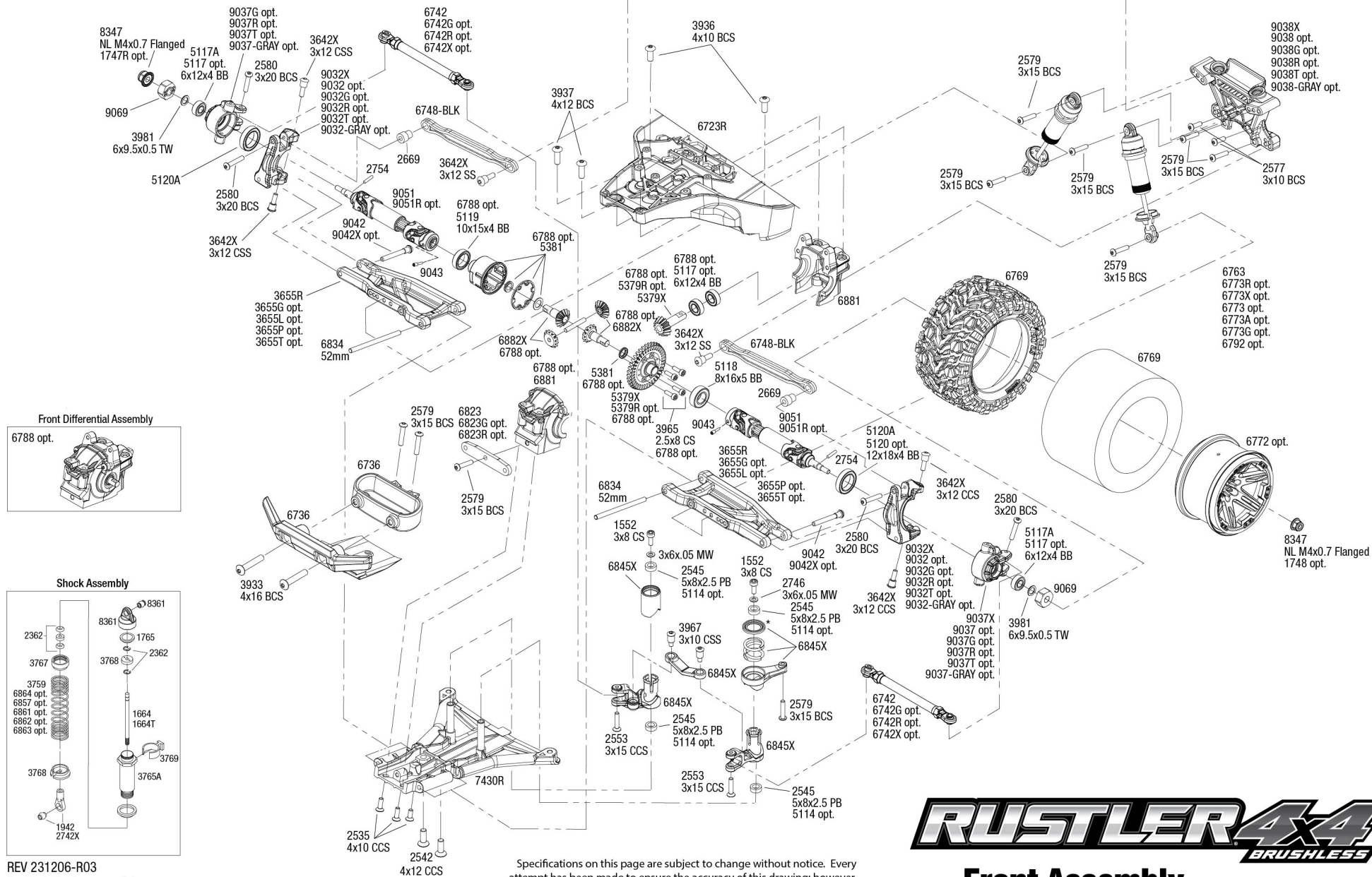
REV 231206-R03

Driveshafts



Modular Assembly





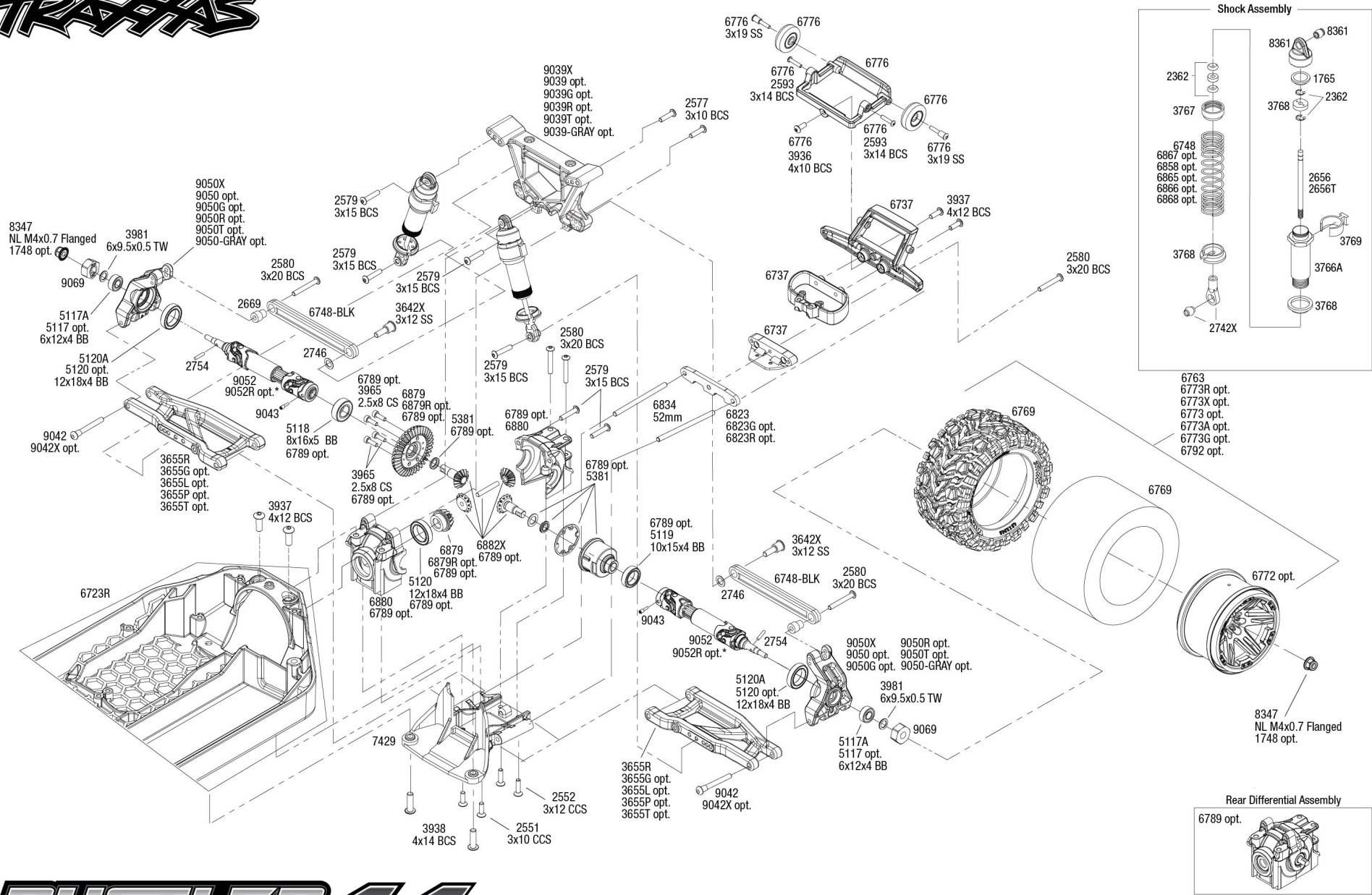
REV 231206-R03
See Parts List for a complete listing of optional accessories.

Specifications on this page are subject to change without notice. Every attempt has been made to ensure the accuracy of this drawing; however, Traxxas cannot be held responsible for typographical or other errors.

RUSTLER 4x4

BRUSHLESS

Front Assembly



RUSTLER 4x4 BRUSHLESS

Rear Assembly

See Parts List for a complete listing of optional accessories.

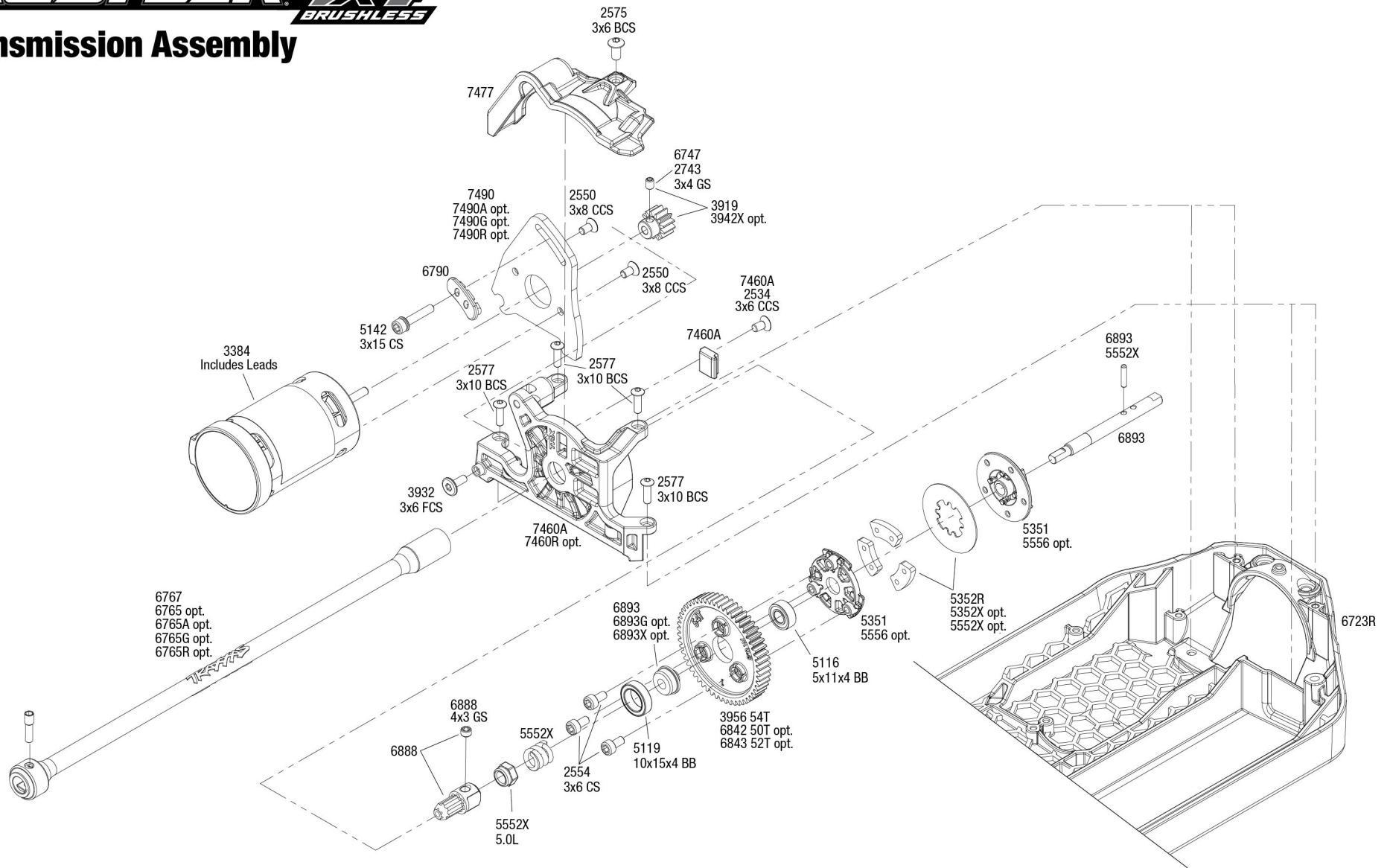
Specifications on this page are subject to change without notice. Every attempt has been made to ensure the accuracy of this drawing; however, Traxxas cannot be held responsible for typographical or other errors.

*Requires 5117 or 5117A ball bearing for installation.

REV 231206-R03

RUSTLER 4x4 BRUSHLESS

Transmission Assembly



See Parts List for a complete listing of optional accessories.

REV 231206-R03
Specifications on this page are subject to change without notice. Every attempt has been made to ensure the accuracy of this drawing; however, Traxxas cannot be held responsible for typographical or other errors.